

SEE SHEET 1078142 FOR UNION END CONNECTORS,  
SEE SHEET 1078142 FOR GROOVED ADAPTORS,

1071421 (K551-X200-14000)  
**NORMALLY OPEN**

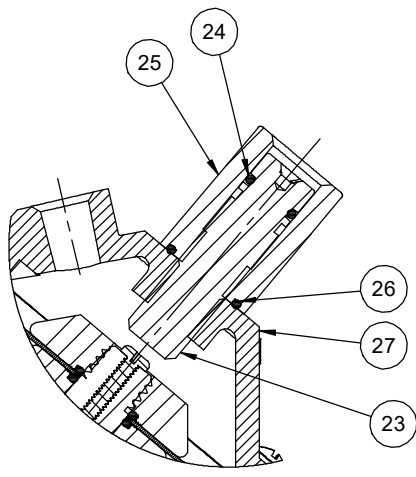
REVISIONS					
ZONE	ECN	REV.	DESCRIPTION	DATE	APP'D
	102658	H	REDRAWN IN SOLID WORKS: ITEM #1: WAS 1075007, ITEM #13: WAS 1075012 ITEM #14: WAS 1075348, ITEM #27: WAS 1075010, 5-FORM # NOW DWG #	31OCT13	TJM
	103697	J	ITEM #20: WAS: 1071942, 1071943, 1071944	12DEC14	TJM

ITEM NO.	QTY.	PART NUMBER	DESCRIPTION
1	1	43476	BODY, VALVE 521
2	1	1075358	NUT, DISC PLATE
3	1	1075033	EPDM
		1075034	BUTYL
		1075036	FKM
4	1	1075360	RETAINER, DISC
5	1	1083536	SHAFT, 5521
6	1	1075030	GUIDE, SHAFT, 521, NORYL
7	1	1071743	EPDM O-RING, 2-208
		1071775	BUTYL O-RING, 2-208
		1071814	FKM O-RING, -208, BUTYL
8	1	1071690	O-RING, 2-112, NITRILE
9	1	1075028	DIAPHRAGM, 521, NBR
10	1	1071715	O-RING (NITRILE), 2-805
11	1	43080	PLATE, DIAPHRAGM, 5521, LWR
12	1	43081	PLATE, DIAPHRAGM, 5521, UPR
13	1	43477	CAP, 521 VALVE
14	1	43725	CAP, 5521, LWR, NORYL
15	8	1072380	SCREW, RHMS 10-32, SS
16	3	1075354	STAND OFF,
17	1	1075357	SHAFT GUIDE,
18	1	1071677	O-RING, 2-025, NITRILE
19	8	1071648	HEX NUT, 10-32, SS
20	1	1081945	EPDM QUAD RING, 2-029, EPDM
		43893	BUTYL QUAD RING, BUTYL, 2-029
		1081947	FKM QUAD RING, FKM
21	4	1071718	EPDM O-RING, -014, EPDM
		1071760	BUTYL O-RING, -014, BUTYL
		1071788	FKM O-RING, -014, FKM
22	1	1078767	CONNECTOR, 1/8 MNPT X 1/4 T, PLS

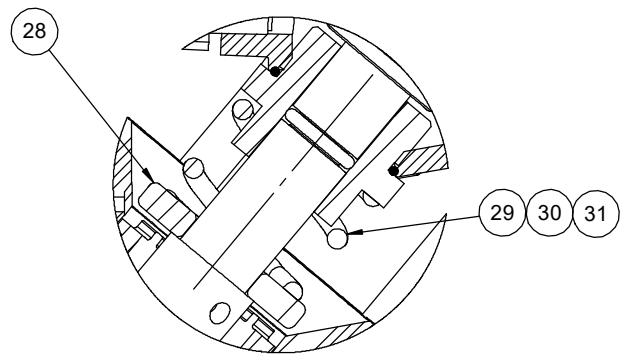
REPAIR PARTS KITS		
DESCRIPTION	PART NO.	
DIAPHRAGM & SEALS KIT CONSISTS OF ITEM NO'S 3,7,8,9,10,18,20,21	1075361 (5521-RAE) E.P.D.M. INCLUDES DIAPHRAGM 1075028 (521-FB)	1075362 (5521-RAJ) BUTYL INCLUDES DIAPHRAGM 1075028 (521-FB)
	1075363 (5521-RAV) FKM INCLUDES DIAPHRAGM 1075028 (521-FB)	
INT. PART KIT (NORM. OPEN) CONSISTS OF ITEM NO'S 2,4,5,6,11,12,17	1071433 (K5521-RF)	

ASSEMBLY TOOLS	
DESCRIPTION	PART NO.
FOR INSTALL & REMOVAL OF SHAFT GUIDE & DIAPHRAGM PLATE (TOOL NOT SHOWN)	1075059 (521-Z)
FOR SHAFT WHEN INSTALL, OR REMOVING DIAPHRAGM PLATE (TOOL NOT SHOWN)	1075060 (521-ZA)

THIRD ANGLE PROJECTION		
APPROVALS	DATE	
DRAWN	NE 08/29/12	
APPROVED		
DO NOT SCALE DRAWING. DIMS. ARE IN INCHES [mm] INTERPRET DIMS AND TOLERANCES PER ASME Y14.5M -2009 UNLESS OTHERWISE SPECIFIED.		TITLE
TOLERANCES: ANGLES: ±1° 1 PLACE .XX ±0.15 [0.38] 2 PLACE .XX ±0.1 [0.3] 3 PLACE .XXX ±0.05 [0.13]		SCALE
CHECKED		SIZE
		C
		DWG. NO.
		BR1077693
		REV
		J
		SCALE
		1:1
		SHEET 1 OF 2



1076708 (K551-X214-14000)  
**LIMIT STOP**



1071423 (K551-X203-14000) 30 PSI  
 1071424 (K551-X204-14000) 60 PSI  
 1071425 (K551-X205-14000) 100 PSI  
**FAILSAFE  
 SPRING CLOSED**

REVISIONS					
ZONE	ECN	REV.	DESCRIPTION	DATE	APP'D
			SEE SHEET 1 FOR LIST OF CHANGES		

**LIMIT STOP MODEL**

ITEM NO	QTY	PART NUMBER	DESCRIPTION
23	1	1075058	LIMIT STOP SCREW, SS
24	1	1071668	O-RING,2-012,NITRILE
25	1	1075057	LIMIT STOP NUT, SS
26	1	1071671	O-RING,2-016,NITRILE
27	1	43724	CAP, 521, LIMIT STOP

**FAILSAFE SPRING CLOSED - 30 PSI**

ITEM NO	QTY	PART NUMBER	DESCRIPTION
28	1	1075351	RETAINER, SPRING
29	1	1075366	SPRING, COMPRESSION

**FAILSAFE SPRING CLOSED - 60 PSI**

ITEM NO	QTY	PART NUMBER	DESCRIPTION
28	1	1075351	RETAINER, SPRING
30	1	1075370	SPRING, COMPRESSION

**FAILSAFE SPRING CLOSED - 100 PSI**

ITEM NO	QTY	PART NUMBER	DESCRIPTION
28	1	1075351	RETAINER, SPRING
31	1	1075365	SPRING, COMPRESSION

REPAIR PARTS KITS	
DESCRIPTION	PART NO.
INT. PARTS KIT (LIMIT STOP) CONSIST OF ITEM NO'S 23 THRU 26	1075040 (521-LS)

CONVERSION KITS	
DESCRIPTION	PART NO.
CONVERSION PARTS KIT (LIMIT STOP) CONSISTS OF ITEM NO'S 23 THRU 27	1071090 (K521-LSC)

- NOTE:
- LIMIT STOP OPTION ONLY OFFERED ON FAIL SAFE SPRING CLOSED MODELS.
  - FAILSAFE OPTION NOT OFFERED IN CONVERSION KIT FORM DUE TO SPECIAL ASSEMBLY REQUIREMENTS.
  - COMPONENTS/ASSEMBLIES TO BE COMPLIANT AND COMPATIBLE WITH EUROPEAN UNION DIRECTIVE 2002/95/EEC (RoHS) REQUIREMENTS.

SEE SHEET 1078142 FOR UNION END CONECTORS,  
 SEE SHEET 1078142 FOR GROOVED ADAPTORS,

<small>DO NOT SCALE DRAWING. DIMS. ARE IN INCHES [mm]          INTERPRET DIMS AND TOLERANCES PER ASME Y 14.5M -2009          UNLESS OTHERWISE SPECIFIED:</small>  <small>TOLERANCES:          ANGLES: ±1°          1 PLACE .X:          2 PLACE .XX:          3 PLACE .XXX:</small>	THIRD ANGLE PROJECTION			
	APPROVALS		DATE	TITLE
	DRAWN	NE	08/29/12	CATALOG SHEET, 5521 DIAPHRAGM VALVE, STANDARD MODEL
	APPROVED			SIZE <b>C</b> DWG NO. <b>BR1077693</b> REV <b>J</b>
CHECKED			SCALE 1:1 SHEET 2 OF 2	